

Forest

DENTALEZ

HANDS-FREE HVE

STEP 1: Snap HVE nozzle into cradle (FIG. 1).

STEP 2: Flexible assistant's arm will drape behind chair (FIG. 2).

STEP 3: Turn tension screw right to tighten and left to loosen (Fig. 3).

⚠ WARNING: Tension screw should face away from patient.

⚠ WARNING: Refer to Forest™ Operatory Equipment Asepsis and HVE/SE Reprocessing and Maintenance Operator's Guide for infection control procedures.

⚠ CAUTION: HVE should not be resting in cradle while patient is being positioned for treatment or exiting chair.

FIG. 1:

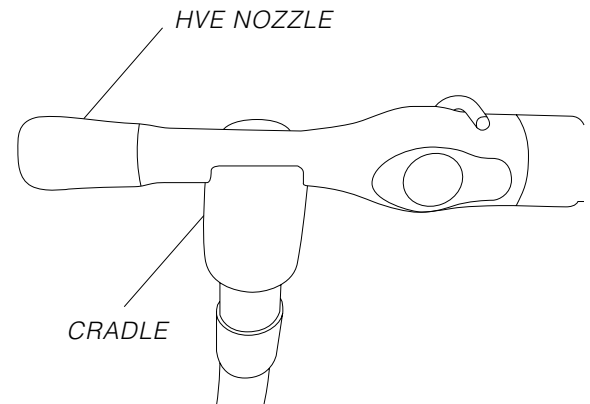


FIG. 2:

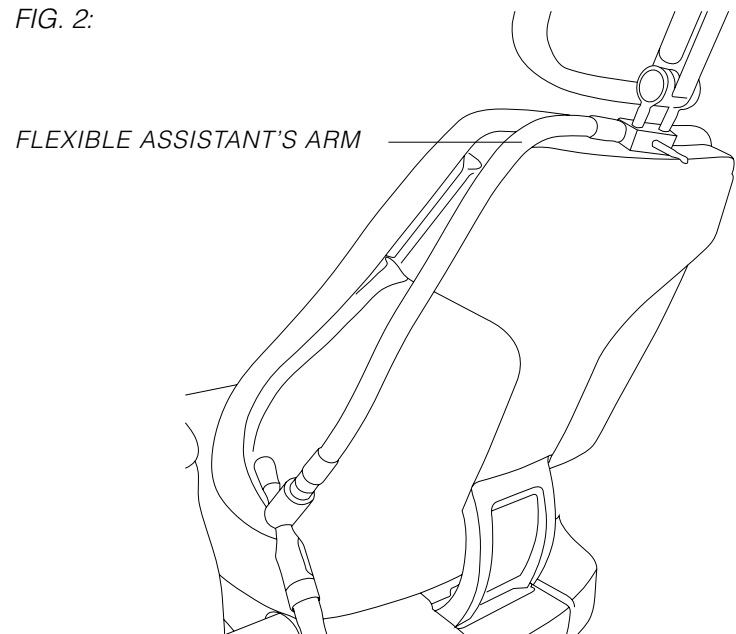


FIG. 3:

